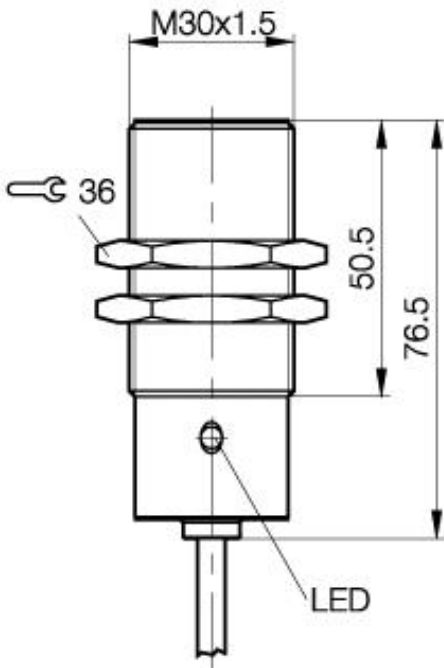


**Inductive Sensors**  
**BES 516-541-BO-H-**  
**M30x1.5 x 76.5**  
**normally-closed**  
**Sn=10mm**  
**shielded**



PX0023

**Common Data**

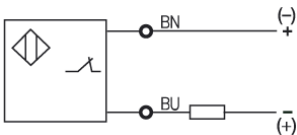
Mounting in steel	shielded
Rated operating distance Sn	10mm
Assured operating distance Sa	0...8.0mm
Repeatability R	≤ 5%
Hysteresis	≤ 20%
Function indication	yes
Ambient temperature range	-25...+70°C
Polution Degree	3
Time delay before availability	≤ 20ms

**Mechanical Data**

Measurements BxHxT or DxT	M30x1.5 x 76.5mm
Housing material	Nickel plated brass
Material of sensing face	PA 12
Degree of protection	IP68 acc. BWN Pr 20IP
Connection	Cable
Cable type	LiYY-O
Schock: Halfsinus, 30 gn, 11ms	
Vibration: 55 Hz, 1mm Amplitude, 3 x 30 Minutes	

**Electrical Data**

Current type	DC
Wiring	2-Wire
switching function	normally-closed
Output signal	non-polarized
Rated operational voltage	24 DCV
Rated operational current	200mA
Supply voltage	10...55 DCV
Ripple	≤ 15%
max. switching frequency	1500Hz
Minimum operational current	5.0mA
No-load supply current	-/-mA
Off-state current	≤ 500µA
Voltage drop	≤ 5.0/-V
Short circuit protection	yes
Protected against polarity reversal	yes



Utilization categories  
 Insulation class

DC 13  
 II

Datasheet number:

Definitions see general catalog.  
 If not otherwise noted, ratings according to  
 IEC 60947-5-2 (DIN EN60947-5-2)

Balluff GmbH  
 Schurwaldstrasse 9  
 73765 Neuhausen a.d.F.  
 Phone (07158) 173-0 Fax (07158) 5010

Datenblatt by CD-ROM - 04/2007

**BALLUFF**  
 sensors worldwide